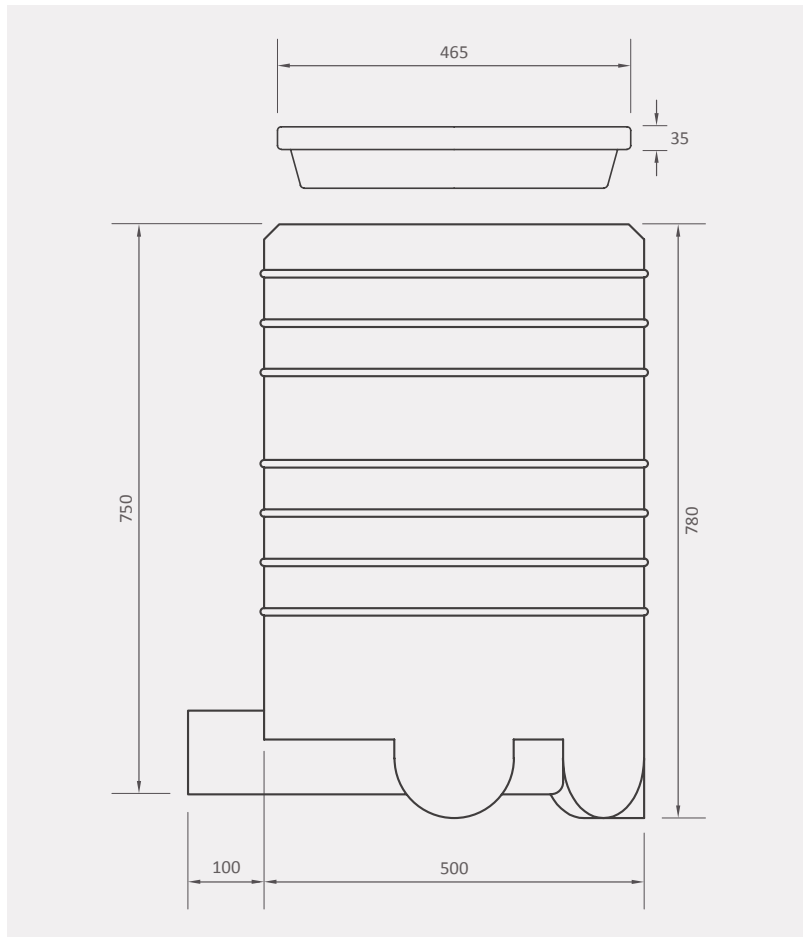


## Inspection Chamber

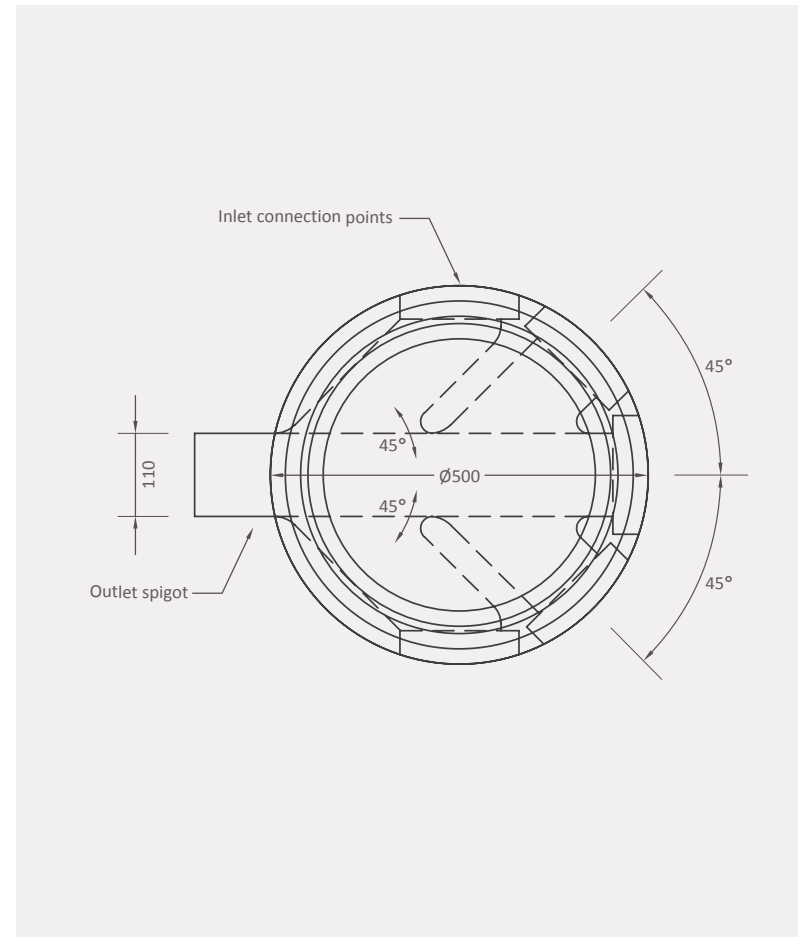
750mm

Durable, lightweight and designed to allow for multi-directional use, our inspection chambers are easy to handle, and compatible with a wide variety of piping systems and on-site installation requirements.

Front view



Top view



### Product specifications:

#### Application:

- Access point for maintenance of underground sanitation and wastewater systems
- Joining and redirecting sewer lines
- Junction box for cable joining below ground

#### Supplied with:

- 1) 460mm lid

#### Connection size options:

- Inlet/s – 32, 50 or 110mm (5 different location options)
- Outlet – 110mm

**Note:** if no connections are requested, none will be added.

#### Optional extras for installation:

Rubber seal gasket/s for the preferred inlet and outlet connection sizes (options available include 32, 50 and 110mm), and a 460mm (d) by 100, 200 or 300mm (h) lid extension (depending on requirements).

**Note:** these are not included as part of the product offering, but are available on request.

### Availability:

Standard colour ●

10-year guarantee

All dimensions are in millimetres and the drawings are drawn on a scale of 1:75. The design is the property of Calcamite.