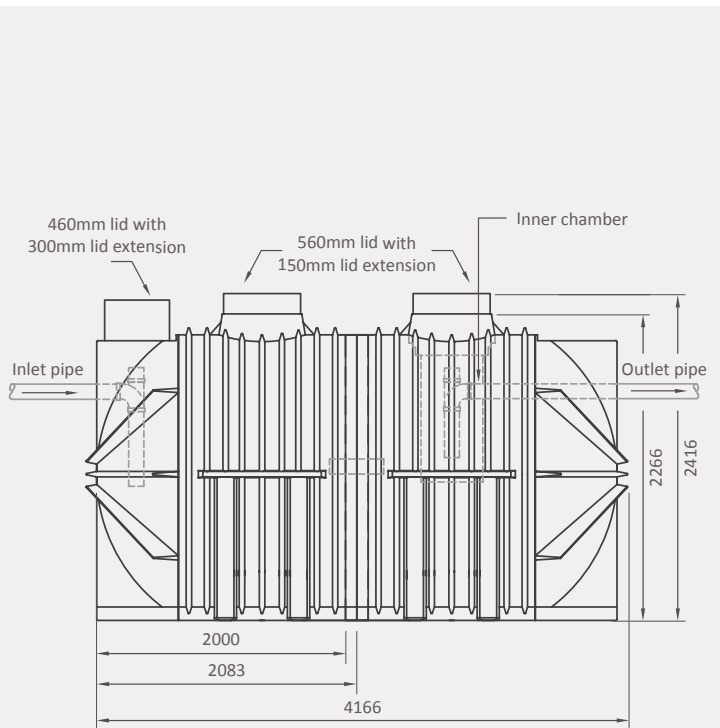


Underground Modular Septic Tank

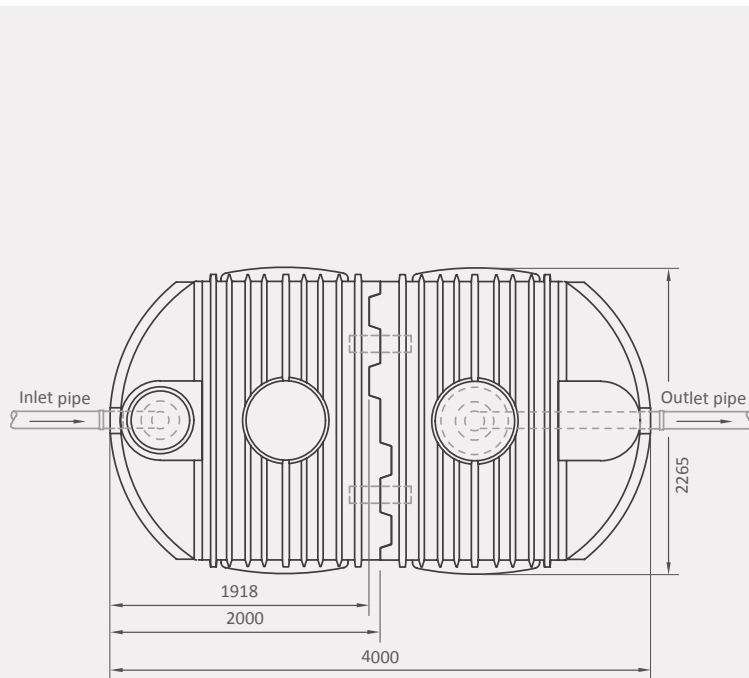
9500L

Ideal for installations where increased storage capacity is required, our modular septic tanks incorporate the same double chamber design as our standard septic range, allowing for cleaner effluent discharge than conventionally built septic tanks.

Side view



Top view



Product specifications:

Capacity:

- Up to 48 people

Application:

- Below ground
- Where connection to the sewer line is not feasible/possible
- Soils with a good percolation rate such as sandy soil
- Areas with a low water table in order to prevent contamination of groundwater sources

Supplied with:

- 1) 1x 460mm lid complete with:
 - 300mm high lid extension
- 2) 2x 560mm lids complete with:
 - 150mm high lid extension
- 3) 1x inner chamber with all required internal plumbing
- 4) Inlet fitted with:
 - 110mm socket junction
 - 110mm rubber gasket
 - 110mm (d) x 300mm (l) PVC pipe
- 5) Outlet fitted with:
 - 110mm socket
 - 110mm rubber gasket
 - 110mm (d) x 300mm (l) PVC pipe
- 6) 2x Inter connections fitted with:
 - 4x 110mm interconnecting gaskets (one on each side of the connections)
 - 2x 110mm (d) x 300mm (l) interconnecting PVC pipes

Availability:

Standard colour ●

Agrement Certified | 25-year guarantee

Dimensions are in millimeters and the drawings are drawn on a scale of 1:75. The design is the property of Calcamite.